

Dial thermostats

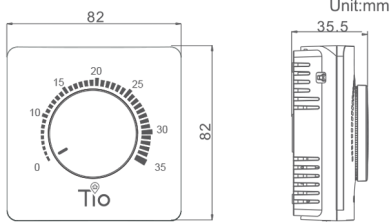
Perfect for water heating systems, these dial thermostats offer temperature adjustability between 0°C - 35°C. LED indication when heating is activated.



TIODIA0004(s)

Product Code	Product Description
TIODIA0004	230v on-wall dial thermostat
TIODIA0004s	230v on-wall dial thermostat with floor sensing

External dimensions

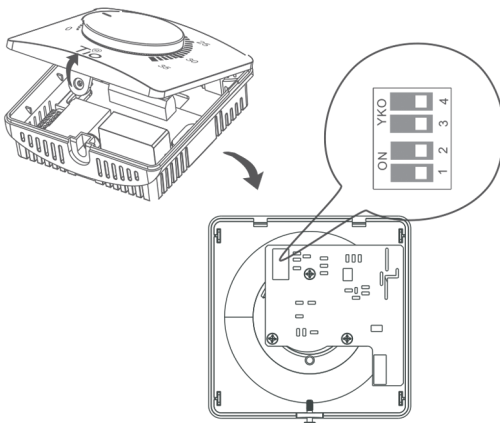


International universal electronic heating thermostat can be installed directly on the wall. The temperature range is 10~35°C. It means it's heating when the indicator lights up. It can be applied to automatic temperature control of heating system. It meets the high requirement for comfort, safety and energy-saving.

Model	Current	Control Type List
TIODIA0004 MENAPT-10	3A	Water valve, radiator, or electric heating valve

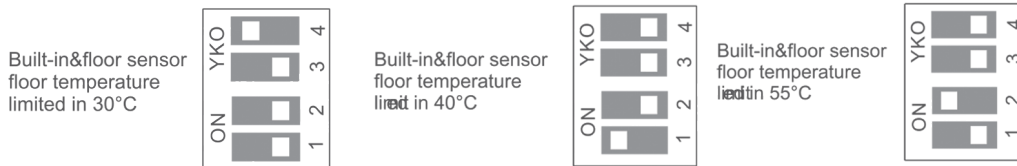
Parameter

- Voltage:230V
- Consumption:<2W
- Temperature Range:12~35°C
- Temperature switch deviation:Default 1°C
- Ambient temperature:0~50°C
- Protection class:IP20
- Load capacity:3A
- Connecting Cable:RVV0.5
- Housing material:PC+ABS



Sensor choosing and floor limit sensor setting:

This thermostat can choose different works way by set switch that is on the back of product,which includes both:built-in and limitation floor sensor.The thermostat operates either with one of these sensors or with both of them.This kind of product can modify the different limited temperature value,setting method as following:

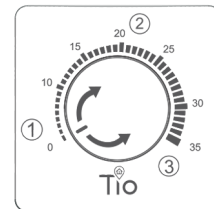


Description

This thermostat is applied to water heating system. Room temperature is adjusted by controlling the valve switch.Operation is easy. Set temperature through the knob. The corresponding temperature to the comfortable position is about 20°C. The corresponding temperature is higher as the knob position is turned higher. Annular red indicator will light up when heating. Please turn the knob to the low position when leaving for long-term to save energy.

Operating Instructions

- ① Switch off:OFF
- ② Comfortable position:
about 20°C
Temperature setting
range:10~35°C
- ③ Annular red indicator light:
The light will be on after switch on, then off.
It means it is heating when red light is
always on.



Selection of installation location

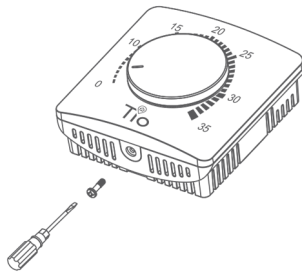
Thermostat should be installed on the wall where the air flows freely. Besides, the place where the thermostat is installed should be free of other heat source (such as sunlight), airflow from door and window, temperature of external wall and etc.

Fault phenomena and exclusion

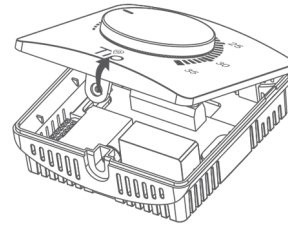
Fault phenomena	Solution
Light not on when switched on	contact failure of power cord or no power supplied
Not heating up	The set temperature is too low or contact failure of sensor or there is heat source near sensor
Heating light keeps flashing	Fault tips of Sensor. Please confirm if the wire is connected properly. Change the sensor if it's properly connected.

Installation Diagram

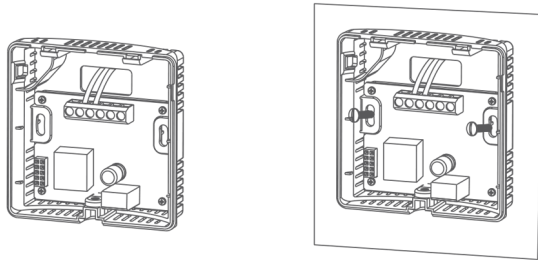
- 1 Remove the screw at the bottom of thermostat by screwdriver.



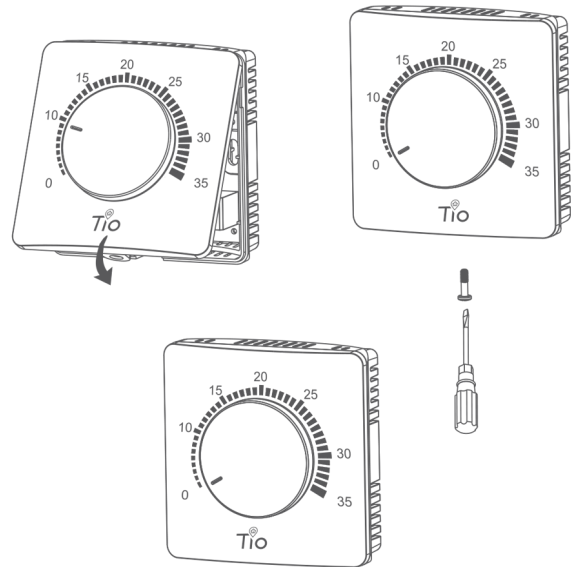
- 2 Open the front panel as shown in the following picture.



- 3 Connect the wires correctly according to the wiring diagram and fix power base to the cassette by screws.

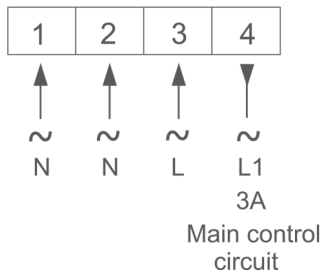


- 4 Close the front panel and tighten the screw as shown in the following pictures to finish installation.



System Connection Diagram

TIODIA0004
MEN.APT-10



Our TIODIA0004S model, allows users to incorporate an external sensor for use in areas such as bathrooms. All other features are the same as the TIODIA0004 model.

Note:

This thermostat can be used in full load operation at a place whose altitude is no higher than 2,500m. For a place whose altitude is between 2,500 and 4,200m, the nominal power of external load should be no bigger than 80% of the nominal power of this product.

Installation Notes

- > Power must be off during installation.
- > Please connect the wires correctly according to diagram.
- > It's better that the installation height is 1.4m or on the same level of other wall switches.
- > Do not install thermostat at non-ventilated location, for example corner, behind the door.
- > Do not install thermostat at a place with strong airflow or near cold and heat source.
- > Sundries like water, cement slurry, metal particles are forbidden going inside thermostat. It will destroy the thermostat.