

Tio mixing unit and probe with Tio T6-130-L pump

Harmonising the Tio High Efficiency Pump T6-130-L and a mixing valve with remote probe actuation to give a temperature range between 20°C - 60°C, making it suitable for screed drying purposes. It includes a throttle to increase Kv for larger systems. Includes 1" M manifold connections with O-ring seals and 1" M connections for primary flow and return. Includes a temperature gauge measuring the mixed flow temperature, manual air vent and bracket to support the weight of the pump.

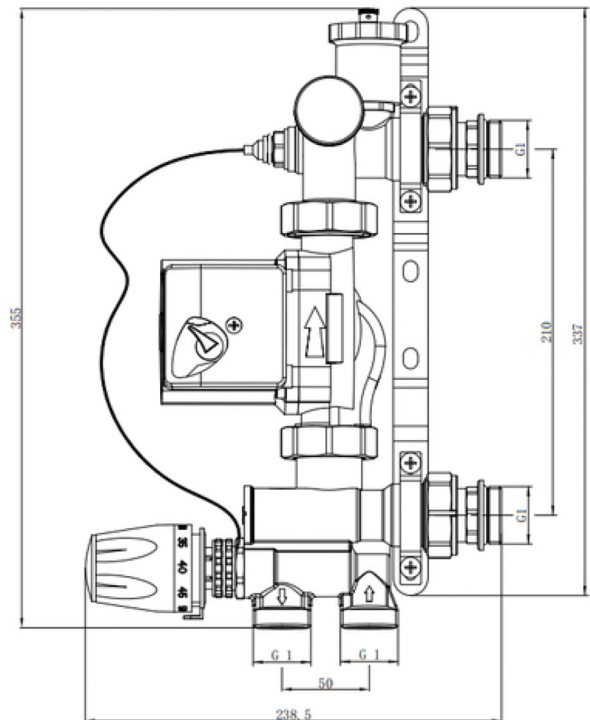
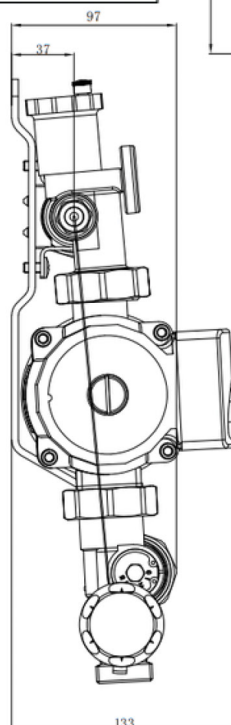


- Pre-assembled pump and blending unit reduces installation time and allows for easy control of the underfloor heating system.
- Inclusive temperature control ensures that the water temperatures entering the floor do not exceed design temperatures.
- Built in thermostatic actuator with a temperature range between 20°C - 60°C for system design across all floor constructions.
- Integrated flow rate control valve for increased regulation of the flow rate and temperature of the underfloor heating system.
- Standard 210mm manifold spacing and 1" BSP connections.

| Product Code | Product Description |
|--------------|--|
| TIOMIX0008 | Tio mixing unit and probe with Tio T6-130-L pump - 210mm |

| | | | | |
|---------------------------|--|-----------|---------------------|--------------------|
| Supply voltage | 220~ 240V, 50/60Hz | | | |
| Motor protection | Doesn't need external motor protection | | | |
| Protection class | IP44 | | | |
| Insulation class | E | | | |
| Relative ambient humidity | Max. 95% | | | |
| System pressure | Max. 1,0 MPa, 10 bar | | | |
| Suction inlet pressure | Liquid temperature | ≤ +75°C | Min. Inlet pressure | 0.05bar , 0.005MPa |
| | | +90°C | | 0.28bar , 0.028MPa |
| | | +110°C | | 1.08bar , 0.108MPa |
| EMC Standard | GB 4343.1 | GB 4343.2 | GB 17625.1 | GB 17625.2 |
| Ambient temperature | 0°C ~ 40°C | | | |
| Surface temperature | Max. +125°C | | | |
| Liquid temperature | +2°C ~+110°C | | | |

Current: 0.5A



Thermostatic Mixer Control Group with Tio high efficiency Pump T6-130-L

The TIOMIX0008 is designed for Underfloor Heating. The control group incorporates a Tio high efficiency Pump T6-130-L a mixing valve with remote probe actuation to give a temperature range of 20°C - 60°C, making it suitable for screed drying purposes. It includes a throttle to increase Kv for larger systems. Includes 1" M manifold connections with O-ring seals and 1" M connections for primary flow and return. Includes a temperature gauge measuring the mixed flow temperature, manual air vent and bracket to support the weight of the pump.

