

## ESBE non-mixing 4-way set with Grundfos heat-pump - 210mm

This heat pump set is designed for low temperature systems and is suitable for a maximum output of 20kW.

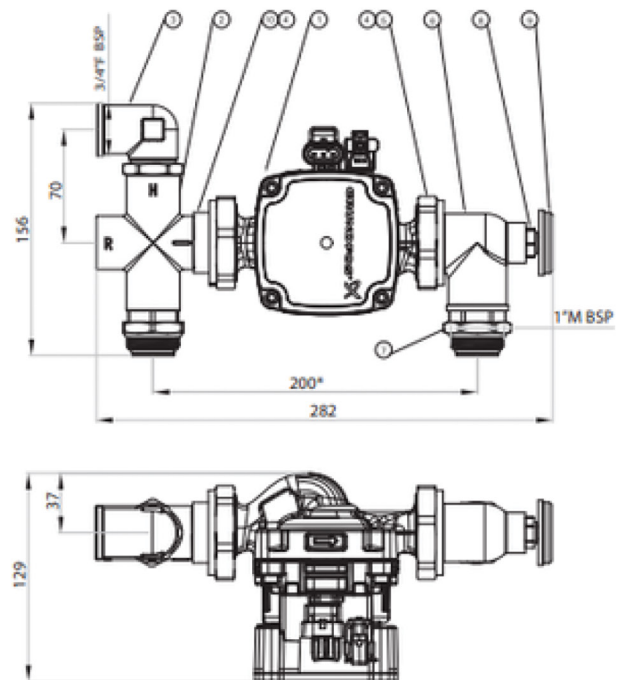
- No requirement for a mixing valve.
- Compact design.
- Integrated check valves for easy filling.
- 'A' rated pump.
- Temperature gauge.
- Assembled in the UK: pre-tested, packaged and ready for instant installation.
- Fully reversible (left or right sided manifold).
- Side or bottom entry connections.



Product Code	Product Description
TIOPUM0001	ESBE non-mixing 4-way set with Grundfos heat-pump - 210mm

### Specification

1. Grundfos UPM3 Auto Pump (1)
2. 4-way deflector plate (1)
3. Flow/ Return Elbow (1)
4. 2mm Rubber Washer (2)
5. 1 1/2" Rapid Connection Nut (2)
6. Elbow Flanged (1)
7. 1" Male BSP Flow and Return (2)
8. 3/8" Pocket (1)
9. Temperature Gauge (1)
10. Manifold Centre Distance Spacer (1)



R Return from manifold/ flow to heat source N/A

H Flow from heat source N/A

**Output:** Up to 250 sqm / 20 kW

**Max temperature range:** Continuously= 95 °C Temporarily= 100 °C

**Maximum supply pressure:** 10 Bar

#### Optional extras

- Primary isolation valves
- Safety temperature switch
- Manifold isolation valves
- Compression fittings