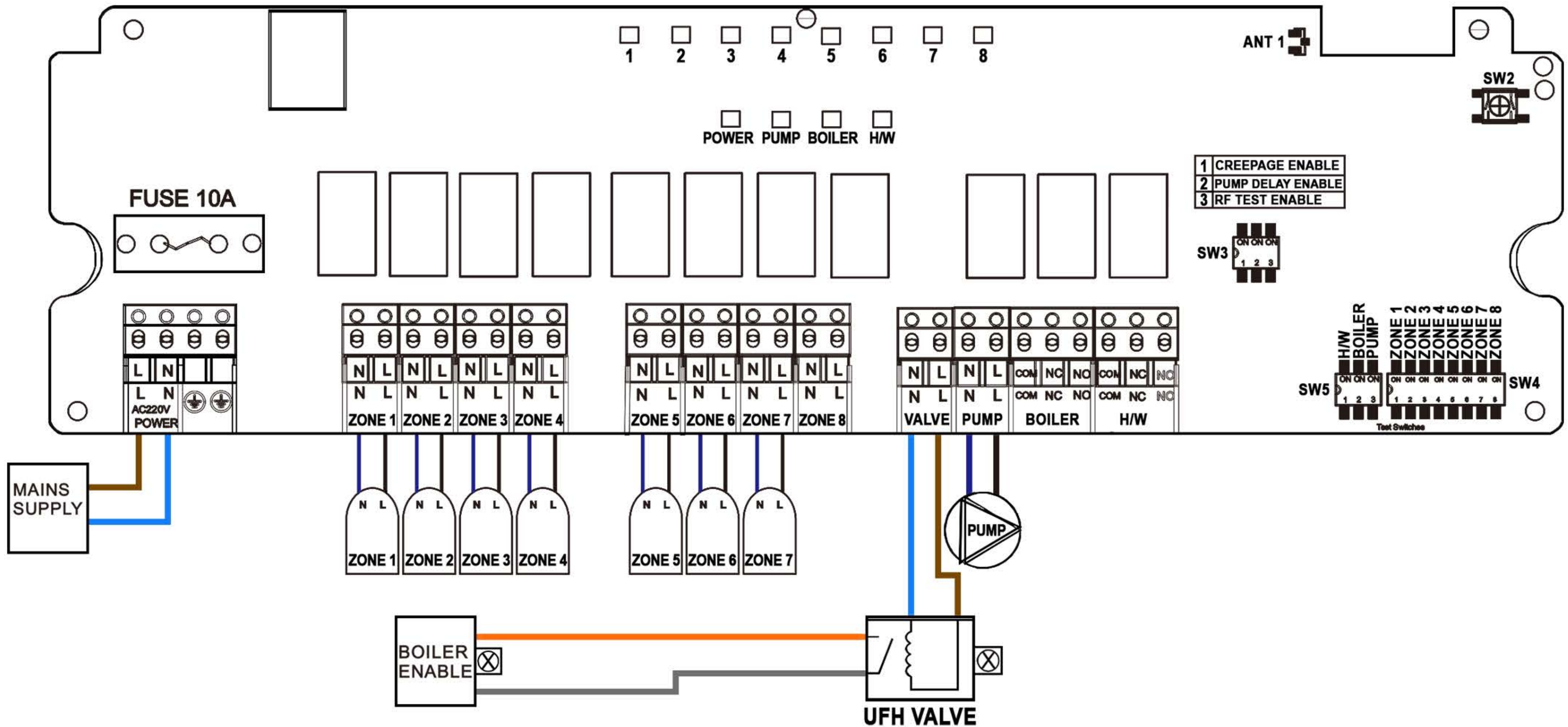
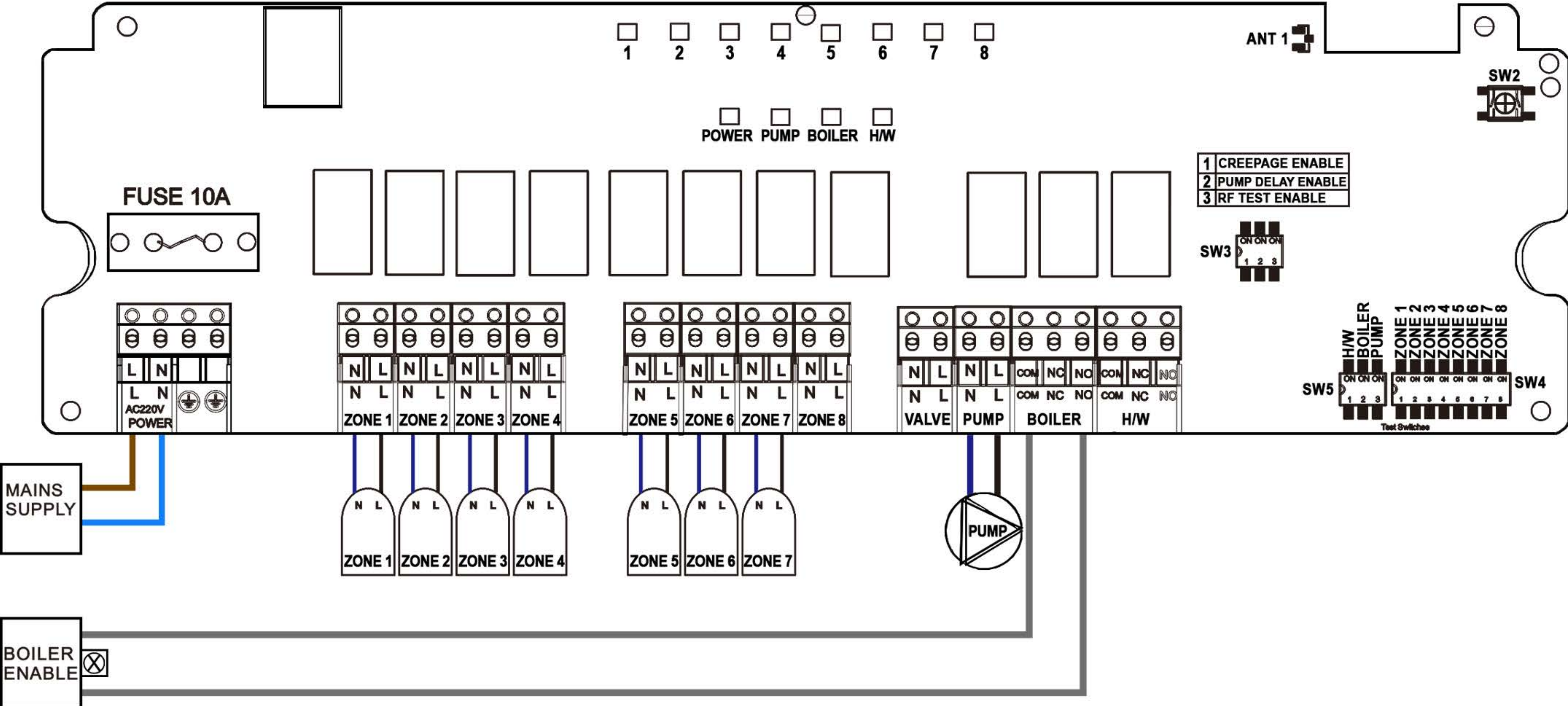


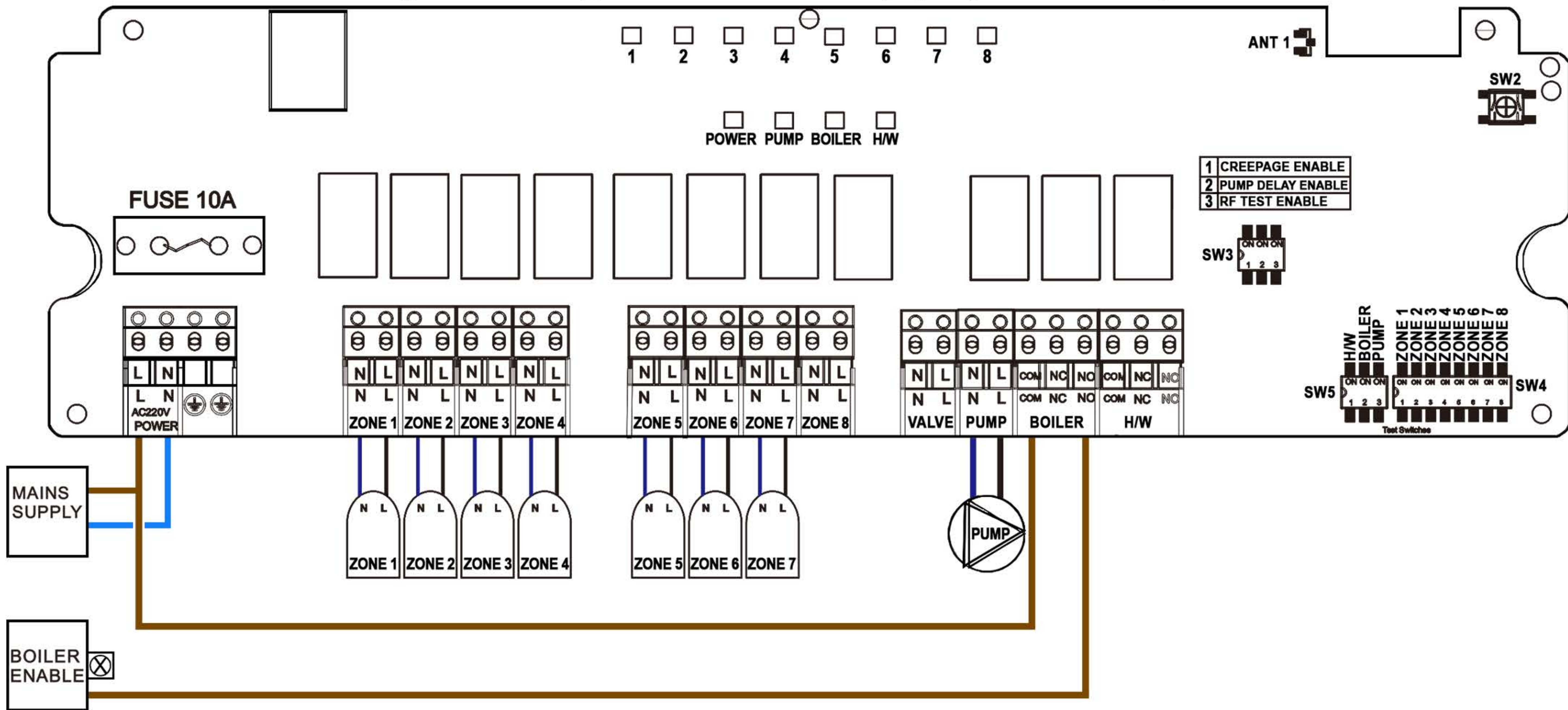
# UFH wiring using external zone valve



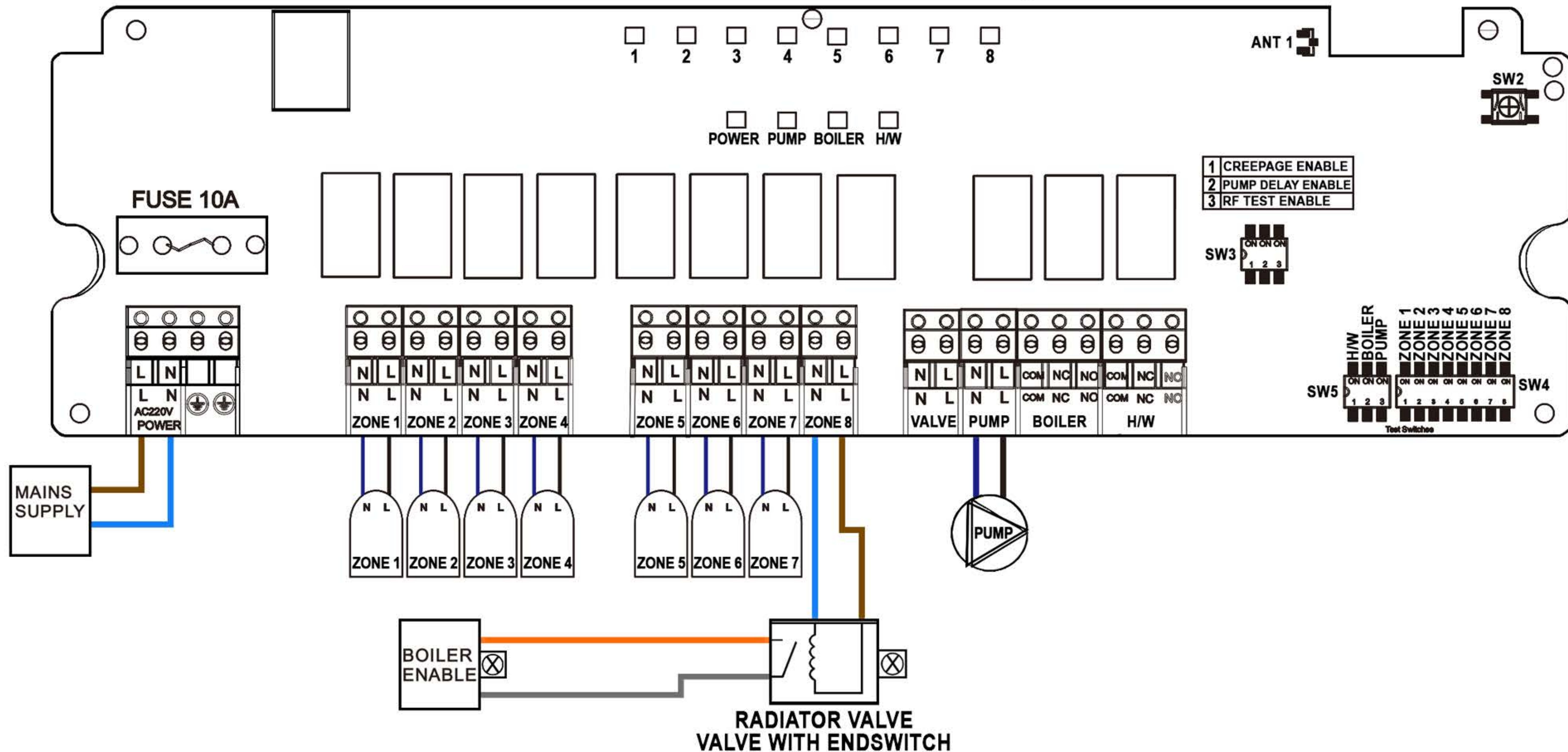
# UFH wiring using internal relay and volt free switching (check heat source requirement)



# UFH wiring using internal relay but switching 230V output by linking to main supply and input



# Radiator zone control using external zone valve (switched through heat source volt free terminals - for 230V switching grey must be connected to a suitable 230V connection)



# Hot water zone wiring

