

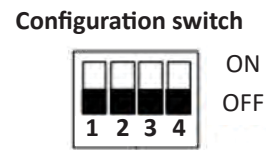
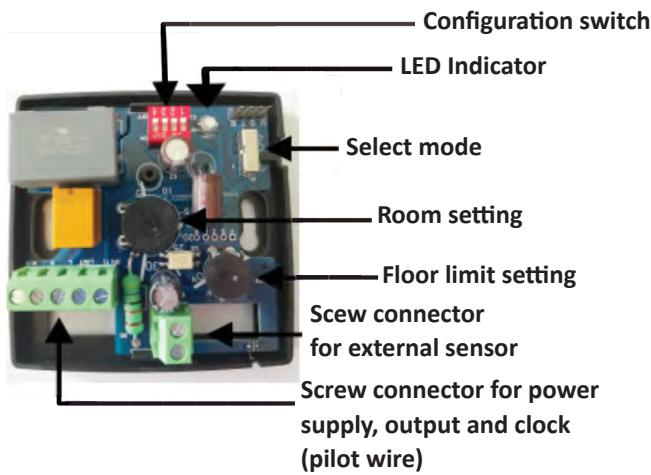
Dial thermostats

Perfect for water heating systems, these dial thermostats offer temperature adjustability between 0°C - 35°C.



Product Code	Product Description
TIODIA0003	230v tamper proof electric thermostat

- External pilot wire for night reduction, equipped with a switch to select comfort, reduction or clock mode.
- Possibility to regulate either the floor or room temperature, or combined (in this case, the floor sensor is used as temperature limiter).
- Relay output, to be connected directly to actuators (see connecting drawing on the installation sheet) or to our Modular connecting system.



Actuator type 1	
ON	NO actuator
OFF	NC actuator
Regulation mode 2	
ON	Proportional
OFF	Static differential
Sensor mode 3 & 4	
3 - OFF 4 - OFF	Regulation on internal room.
3 - OFF 4 - ON	Regulation on external room.
3 - ON 4 - OFF	Regulation on internal room sensor with lower limit floor on external probe.
3 - ON 4 - ON	Regulation on internal room sensor with upper limit floor on external probe.

LED Indicator

Red: Heating indication

Green: reduction mode by dock (pilot wire)

Orange: Heating during reduction mode by clock (pilot wire)

Red blinking:

- 0.5 second cycle => Internal & External sensor failures
- 1 second cycle=> Internal sensor failure
- 2 seconds cycle => External sensor failure

Technical Characterisitcs

Measured temperature precision	0.1°C
Operating temperature	0°C - 50°C
Setting temperature range	5°C - 30°C
Floor limiting temperature range	10°C - 40°C
Regulation characteristics	Proportional band 10min for 2°C or static differential 0.5°C
Electrical protection	Class II - IP30
Power supply	230 VAC +/- 10%
Output	Relay output 230VAC, 200W max
External floor sensor	NTC (10K Ohms) 3m