

## ESBE non-mixing circulating set with Grundfos UPM3 pump - 210mm

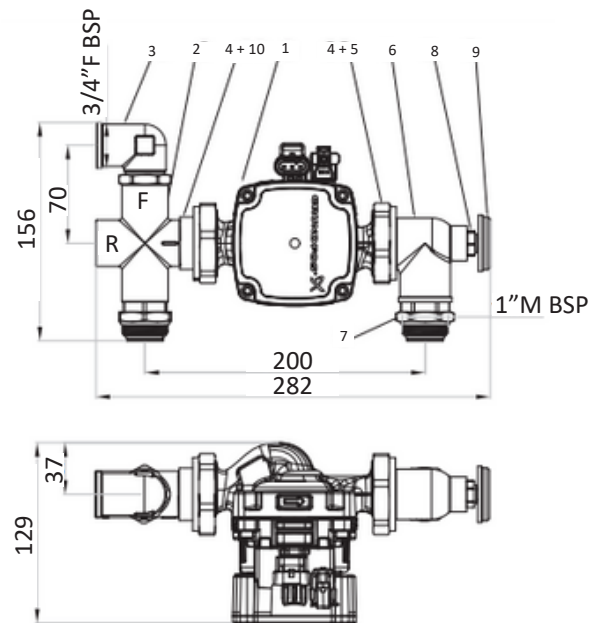
This heat pump set is designed for low temperature systems, that do not require water temperature mixing at the manifold, and is suitable for a maximum output of 20kW.

- No requirement for a mixing valve.
- Compact design.
- Integrated check valves for easy filling.
- 'A' rated pump.
- Temperature gauge.
- Assembled in the UK: pre-tested, packaged and ready for instant installation.
- Fully reversible (left or right sided manifold).
- Side or bottom entry connections.



Product Code	Product Description
TIOPUM0001	ESBE non-mixing 4-way set with Grundfos UPM3 pump - 210mm

1	Grundfos UPM3 Auto Pump	1
2	4-Way deflector plate	1
3	Flow / Return Elbow	1
4	2mm Rubber Washer	2
5	1 1/2" Rapid Connection Nut	2
6	Elbow Flanged	1
7	1" Male BSP Flow and Return	2
8	3/8" Pocket	1
9	Temperature Gauge	1
10	Manifold Centre Distance Spacer	1
R	Flow from Heat Source	N/A
H	Return from Manifold / Flow to Heat Source	N/A



### Specification

**Output:** Up to 250 sqm / 20 kW

**Max temperature range:**

**Continuously:** 95 °C      **Temporarily:** 100 °C

**Maximum pressure:** 10 Bar

#### Optional extras

- Primary isolation valves
- Safety temperature switch
- Manifold isolation valves
- Compression fittings