

Smart Thermostatic Radiator Valve

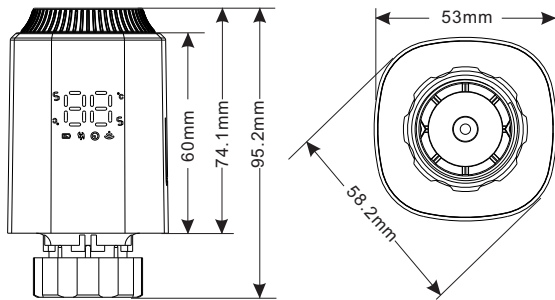
Modern and sleek design which encompasses both easy to use dial mechanism locally and smart features via app control.

Pairing with a TEVO Gateway advocates for app configuration thus, allowing users to enjoy customisation on their phones at any time or place. Incorporating a 7 day - 4 period control programming system which, can be exclusively altered in app. Heating boost, window detection, anti-freeze and anti-calcification protection settings can all also be controlled in-app. 2x AA batteries are required.

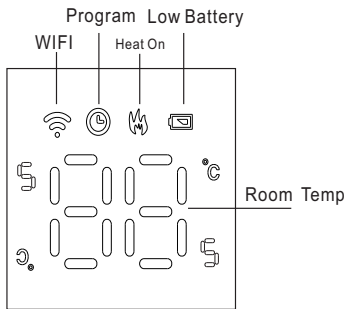


Product Code	Product Description
TIOTRV0001	230v white smart RF thermostat

Dimensions



Icon Overview



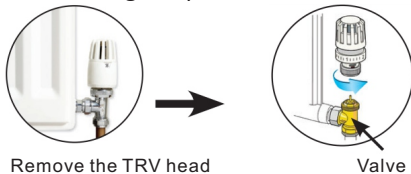
Device Factory Settings:

Period 1		Period 2		Period 3		Period 4	
06:00	22°C	08:00	16°C	18:00	22°C	22:00	16°C

Installation

Before you begin installation, please refer to the TRV adapter diagrams and identify the correct adapter for your radiator valve.

Once you have identified the correct adapter, please take care whilst installing the parts to the TRV.

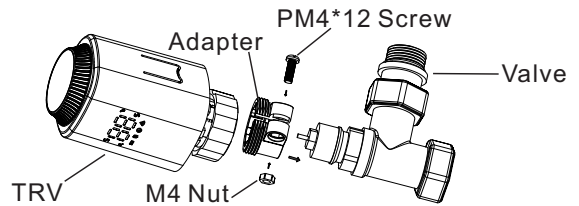


If you have a TRV previously installed, please carefully rotate the attaching valve and disconnect the old unit.

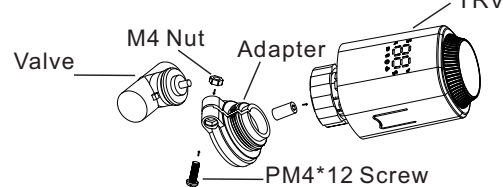
1. Remove the exterior casing by pushing the battery logo and sliding the panel backwards.
2. Insert 2 AA batteries whilst ensuring correct orientation.
3. Slide the exterior casing back on.
4. Connect your TRV to your radiator by screwing it onto the valve.
5. The LED display will now flash. This means that your TRV is adapting to your radiator.
6. Once the LED has stopped flashing, the adaptation process has concluded.

Refer to user manual for full installation guide.

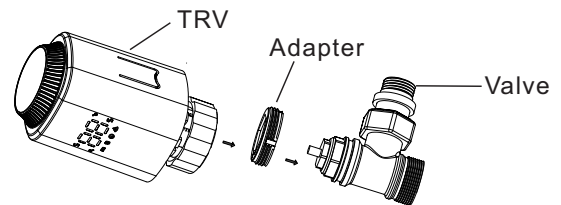
Danfoss Valve Installation(RA Adapter)



Danfoss Valve Installation(RAV Adapter)



Caleffi Valve Installation



Giacomini Valve Installation

